



THE REVOLUTIONARY ILT PLUG SEAL CAP FOR ENVIRONMENTAL SAMPLING.

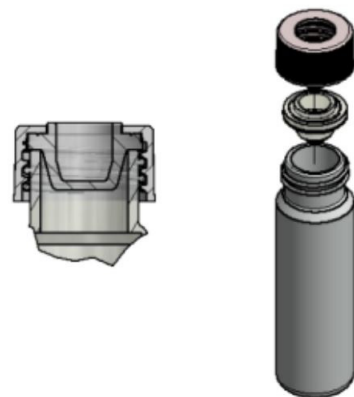
ILT Plug Seal cap is a revolutionary designed compression silicone liner assembled into our 24-414 heavy walled cap.

FEATURES:

PTFE/Silicone liner.	Heavy walled 24mm cap.
Reduce the possibility of testing bubbles.	Available in 24-414 white caps.
Conditioned to the cleanest standards.	

This complete liner system reduces liner fallout and enhances long term storage of samples. The product reduces the possibility of over torquing and the probability of a testing bubble. The ILT Plug Seal is manufactured in a clean environment on automated production lines, the new closure system can meet the stringent demands of high volume labs.

The PTFE surface face of this cap design can be used with volatile solvents. This cap system is compatible with EPA VOA vials used in all methods.



Part #	Description
024-03-6016	White cap, clear silicone/clear PTFE